

MIFARE READER

«Mifare»: The multi-applications identification technology in a single card!

The personal contactless multi-applications and multifunction card is not a dream anymore!

IDtech integrates the «*Mifare*» technology, developed by Philips Semiconductors, into his access control and time attendance solutions.

Using this advanced technology, the access or time and attendance card provides not only a security advantage but also the flexibility of a multi-application card.

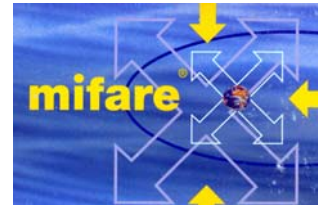
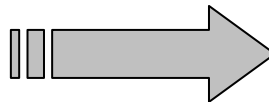


The «*Mifare*» concept enables multi-applications within one single card: personal data storage, biometric templates storage, electronic purses,

The «*Mifare*» technology supplies 16 sectors available for multi-vendors applications. Each dedicated sector is protected by read and read/write protection key. The data-transmission between the card and the readers is encrypted.

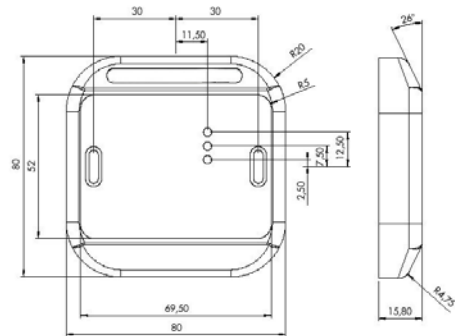
The data storage capabilities of the«*Mifare*» technology enables an easy transportation of the template data, solving the complex problem of transmitting huge volumes of data using network infrastructure.

- Access Control
- Time Management
- Descriptive data
- Electronic purse
- Accreditation card
- Fidelity card
- Ticketing
- ...



SOME STANDARD FEATURES

- ▶ No contact between the read head and the card
- ▶ Memory available for other applications (electronic purse , biometric templates, personal data, etc)
- ▶ Ease of use
- ▶ Maintenance free
- ▶ Anti-vandalism
- ▶ Watertight (indoor or outdoor mounting)
- ▶ No counterfeiting
- ▶ Crypted Communication
- ▶ Reading distance from 2,5 cm to 8 cm
- ▶ Secured communication protocol
- ▶ Total integration with
 - UNIPASS : Access Control
 - UNITIME : Time Management
 - UNIGUARD : Alarm Monitoring
 - UNICARD : Badge Production
- ▶ Simple and easy to installation



SPECIFICATIONS

Available Options	Keypad	
	Fingerprint reader	
Power Supply	8...14 V/DC	
Typical power consumption	<70 mAmp	
Output relays	Wiegand, Data/clock, Magstripe, RS-232/485	
Data Format	26...64 bits / Proprietary	
Reading Distance	2,5 cm to 8 cm maximum	
Size	Reader 2,5 cm	: 80 * 80 * 24,5 mm
	Reader with keypad	: 211 * 108 * 24,5 mm
	Reader with fingerprint scanner	: 211 * 108 * 32,5 mm
Fixation	Wall or flash-mounting	
	On metal with spacer	
Temperature	Reader 10 cm	: -25...+60 °C (IP65)
	Reader with keypad	: -25...+60 °C (IP65)
	Reader with fingerprint scanner	: +5...+40 °C (IP40)
Conformity	CE	